

264 Series LED Bargraph Indicator and Controllers

The 264 series of 101 segment bargraphs offers 30 plug-in measuring modules and optional isolated analogue output, and up to four programmable set points for monitoring, measurement and control applications. Options include single or dual display, Smart tri-colour or mono-colour centre zero mounted bargraphs, and mono-colour right or left mounted bargraphs.



Features

- » Programmable tri-colour or mono-colour display
- » 30 plug-in measuring modules
- » High resolution 101 segment LED Bargraph for easy reading
- » Accuracy 0.05%
- » AC/DC power supply
- » 24V excitation option
- » Dual vertical or horizontal bargraphs (264-ATS only)

Applications

- » Process Control
- » Water Treatment
- » Power Generation
- » Control Panels & Switchboards
- » Monitoring Systems

Features

- Two 10 Amp Form C, and two 5 Amp Form A relays available.
- Auto-sensing AC/DC power supply. For voltages between 85-265 V AC/95-370 V DC (Z) or 18-48/ 10-72 V AC / DC (Y).
- Optional NEMA-4 front cover.
- Optional isolated 16 bit analog output. User or factory scalable to 4 to 20 mA, 0 to 20 mA or 0 to 10 V across any desired span from \pm one bar to the full scale range.
- 24 V DC excitation is available to power external 4/20 mA transmitters and 5 or 10 V DC excitation is available for resistance bridge type sensors.

Specifications

Input Specs:	Depends on range and function selected	1: (volts out)	0-10 V DC @ 500 Ω or higher resistance
A/D Converter:	14 bit single slope	2: (mA out)	4-20 mA @ 0 to 500 Ω max loop resistance
Accuracy:	\pm (0.05% of reading + 1 segment)	Power Supply:	AC/DC Auto sensing wide range supply
Temp. Coeff:	100 ppm/ $^{\circ}$ C (Typical)	Y	18-84 VAC / 10-72 VDC @ 2.5W max 4.2W
Warm up time:	2 minutes	Z (std)	85-265 VAC / 110-370 VDC @ 2.5W max 4.2W
Conversion Rate:	10 conversions per second (Typical)	Operating Temp:	0 to 60 $^{\circ}$ C
Bargraph Display:	101 segment 4" vertical (std), horizontal (optn), red (std), green (optn), one red one green (optn)	Storage Temp:	-20 $^{\circ}$ C to 70 $^{\circ}$ C
Polarity:	Selectable center zero	Relative Humidity:	95% (non condensing)
Positive Overrange:	Bargraph display flashes	Case Dimensions:	Bezel 36mm wide x 144mm high DIN Depth behind bezel 135mm (5.32") Plus 16mm (0.63") for connectors
Negative Overrange:	First segment of bargraph display flashes	Weight:	9.5 oz., 12 oz when packed
Relay Output:	Two 5 Amp Form A relays and Two 10 Amp Form C relays		
Analogue Output:	Isolated 16 bit user scalable mA or V		

Software Features

- The 101 segment bargraph can be easily user scaled
- Bargraph center zero function
- Four programmable setpoints
- Relay activation can be selected to occur above (HI) or below (LO) each setpoint

Product Code

Single bar 2 setpoints
Single bar 4 setpoints

264-ATT
264-ATF

Dual bar no setpoints

264-ATS



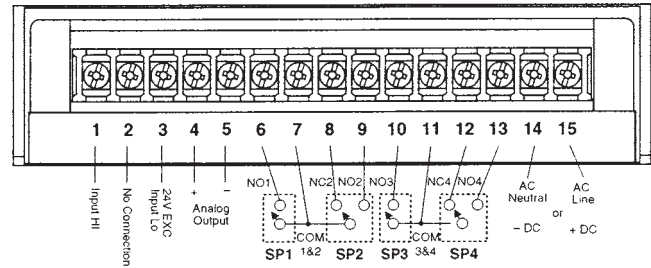
264 Series LED Bargraph Indicator and Controllers

Connections

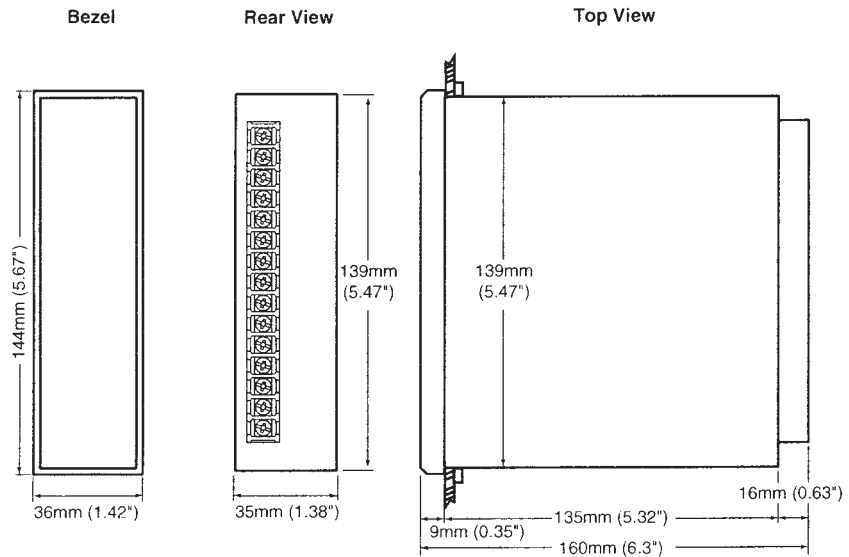
Rear Panel Pinout Diagram

This meter uses plug-in type screw terminal connectors for all input and output connections.

WARNING: AC and DC input signals and power supply voltages can be hazardous. Do not connect live wires to screw terminal plugs, and do not insert, remove or handle screw terminal plugs with live wires connected.

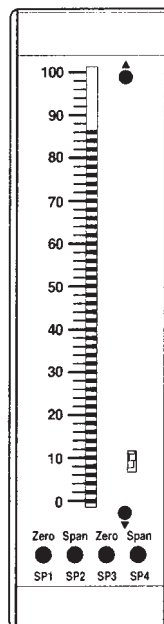


Dimensions



Display

264-ATT
264-ATF Single Display



264-ATS Dual Display

