

264-DT Series LED Digital Indicator and Bargraph Controller



Features

- » Programmable 3 colour bargraph
- » 38 plug-in measuring modules
- » Display colour options of Red, Yellow or Green
- » High resolution 101 LED Bargraph
- » Accuracy: Digital $\pm 0.1\%$ 1 digit Bargraph $\pm 1\%$ 1 segment
- » Two or four setpoint relay versions to suit a wide range of control applications
- » Easy to set up
- » Time delay option on relay contact operation

38 Plug-in Modules

- » AC/DC current
- » AC/DC voltage
- » Load cell
- » Pressure
- » Process
- » Prototype
- » Resistance
- » Temperature
- » 4 to 20 mA

Applications

Designed to provide the user with an accurate combination of instantaneous digital reading and trend indications, the 264-DT series can be used in a variety of applications and industries such as:

- Process Control
- Water Treatment
- Power Generation
- Control Panels & Switchgear
- Monitoring System

Display/Operation

Smart Tricolour or mono-colour digital bargraph with more than 38 different plug-in measuring modules, and optional isolated analogue output and up to four fully programmable set points for monitoring, measurement, and control applications.

The digital display is 4 digit 7 segment with a character size of 8 x 4mm. The display can be programmed for either 1999 or 9999 reading at full scale. The Bargraph display is a 101 segment LED. Relay status indication

is provided by LEDs situated at the side of the display.

All units have non volatile memory so in power down conditions all set parameter information is retained.

All units have a choice of inputs and auxiliary supplies available. Scales can be customised to suit users particular needs, e.g numbers, engineering units, logos and colors.

Features

- External transmitters or signal conditioners can be eliminated by direct connection of the sensor output to more than 38 plug-in Input Signal Conditioners that include:
 - AC/DC Current - Pressure - Resistance
 - AC/DC Voltage - Process - Temperature
 - Load Cell - Prototype - 4 to 20 mA
- Optional isolated 16 bit analogue output. User or factory scalable to 4 to 20 mA, 0 to 20 mA or 0 to 10 V across any desired digital span from \pm one count to the full scale range of -1999 to 9999 (12000 counts).
- A Programmable Tricolor (Red-Green-Orange) or mono colour (red or green), 101 segment high brightness bargraph. Optional vertical or horizontal format.
- Red 4-digit LED display with a range of -1999 to 9999 (12000 counts). Optional green digital display.
- Front panel LED annunciators provide indication of setpoint status.
- Two 10 Amp Form C, and two 5 Amp Form A relays available
- Auto-sensing AC/DC power supply. For voltages between 85-265 V AC / 95-370 V DC (Z) or 18-48 / 10-72 V AC / DC (Y)
- 24 V DC excitation is available to power external 4/20mA transmitters and 5 or 10 V DC excitation is available for resistance bridge type sensors.
- Optional NEMA-4 front cover.
- Automatic intelligent averaging, smooths noisy signals while providing a fast display response to real level changes.

Software Features

- Digital display and the 101 segment bargraph can be independently scaled
- Relay activation can be selected to occur above (HI) or below (Lo) each setpoint.
- Bargraph centre zero function.
- Digital display blanking.
- Four programmable setpoints.
- Decimal point setting.
- Adjustable delay-on-make and delay-on-break time for setpoint 1.
- Four-level brightness control of bargraph, digital display, and setpoint LEDs.

264-DT Series LED Digital Indicator and Bargraph Controller

Specifications

Input Specs:	Depends on Input signal module	Relay Output:	Two 5 Amp Form A relays and Two 10 Amp Form C relays.
A/D Converter:	14 bit single slope	Analogue Output:	Isolated 16 bit user scalable mA or V.
Accuracy:	±(0.05% of reading + 2 counts)	1: (volts out)	0-10 V DC @ 500 Ω or higher resistance
Temp. Coeff:	100 ppm/°C (Typical)	2: (mA out)	4-20 mA @ 0 to 500 Ω max loop resistance
Warm up time:	2 minutes	Power Supply:	AC/DC Auto sensing wide range supply
Conversion Rate:	10 conversions per second (Typical)	Y	18-48 VAC / 10-72 VDC @ 2.5W max 4.2W
Digital Display:	4 digit 0.31" LED red (std), green (optn). Range -1999 to 9999 counts.	Z (std)	85-265 VAC / 110-370 VDC @ 2.5 W max 4.2W
Bargraph Display:	101 segment 4" red vertical (std), green or tricolour (optn), horizontal (optn)	Operating Temp:	0 to 60°C
Polarity:	Assumed positive. Displays - negative	Storage Temp:	-20°C to 70°C
Decimal Selection:	Front panel button selectable, X•X•X•X•	Relative Humidity:	95% (non condensing)
Positive Overage:	Bargraph and top segments of digital display flash.	Case Dimensions:	Bezel 36mm wide x 144mm high DIN Depth behind bezel 135 mm (5.32") Plus 16 mm (0.63") for connectors
Negative Overage:	First segment of bargraph and bottom segments of digital display flashes	Weight:	9.5 oz., 12 oz when packed

Product Codes

Single bar no setpoints

264-DTV

Single bar 2 setpoints
Single bar 4 setpoints

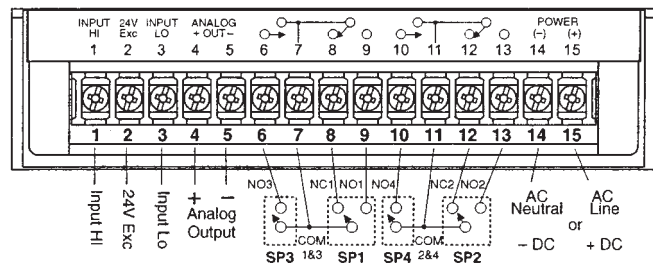
264-DTT
264-DTF

Connections

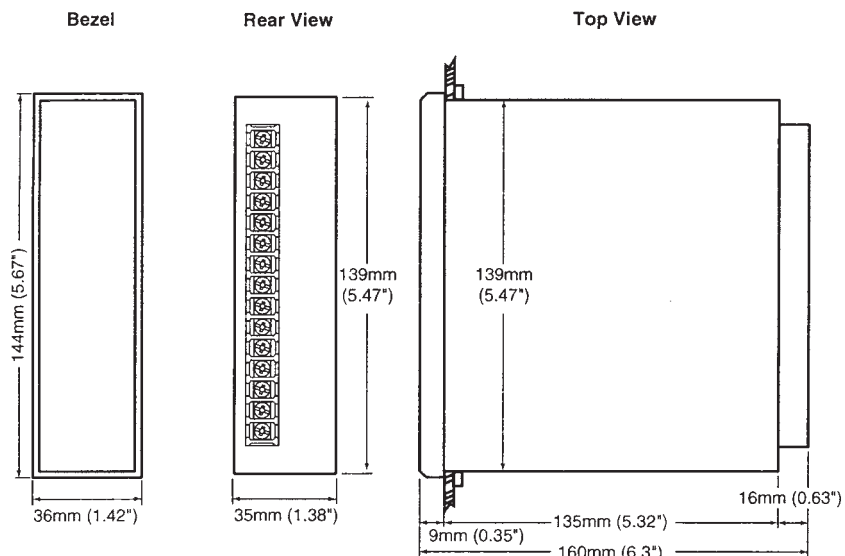
Rear Panel Pinout Diagram

This meter uses plug-in type screw terminal connectors for all input and output connections.

WARNING: AC and DC input signals and power supply voltages can be hazardous. Do not connect live wires to screw terminal plugs, and do not insert, remove or handle screw terminal plugs with live wires connected.



Dimensions



Digital Indicators