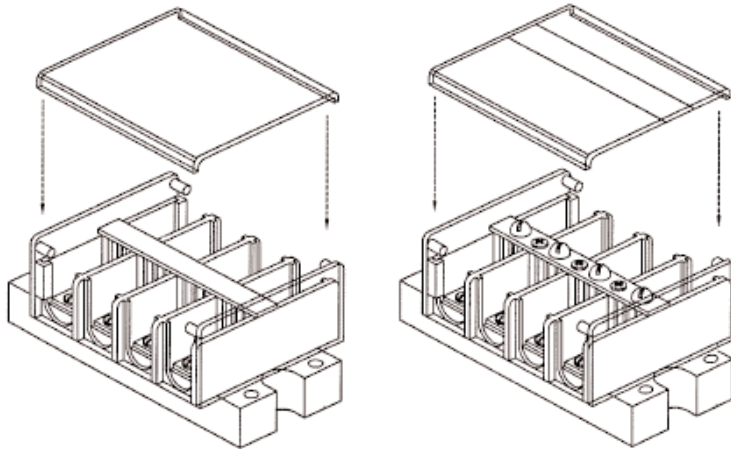


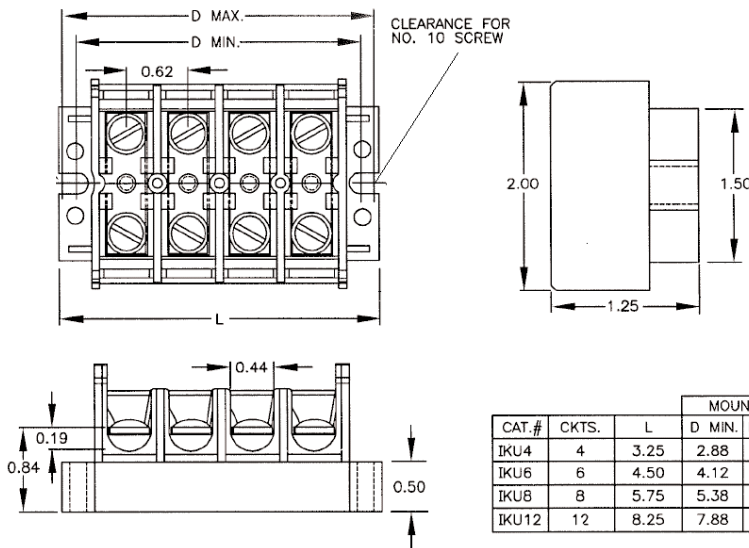


Terminal Block - Model IKU



Non-Shorting Style

Shorting Style



APPLICATION

Control and power wire termination. Short circuiting versions for meter servicing, CT tap changing, ...etc.

FEATURES

- Rugged chip resistant heavy duty construction
- 4,6,8 and 12 pole configurations
- #10-32 tin plated slotted washer head terminal screws
- U.L. recognized 105 degree C. thermoplastic body material
- 4, 6 and 8 pole shorting style available with 4 "on board" slotted head shorting screws. Covers also available.
- Surface mounting flat base for direct one piece terminal block replacement
- Marking strip provided (on the cover for shorting style blocks; on the base for non-shorting style)
- Optional clear bi-directional hinged plastic cover
- Wide brass terminals allow lugs up to 1/2" in width
- Wire size - copper 18-10 AWG.
- UL and CUL recognized (E241554)

RATINGS

Voltage:

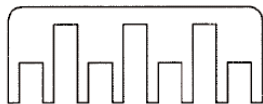
- 600 VAC Non-Shorting Style
- 300 VAC Shorting Style

Current:

- 50 Amp w/Crimp Type Lug
- 30 Amp w/Bare Wire

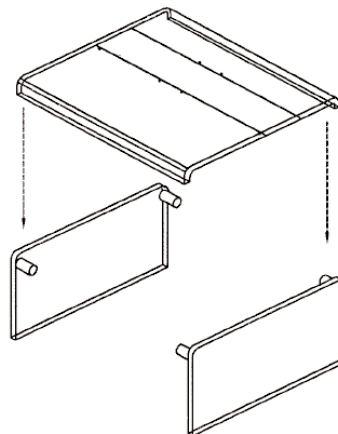
ACCESSORIES:

JUMPERS



CATALOG NUMBER	NUMBER OF POLES
IKUJ2	2
IKUJ3	3
IKUJ4	4
IKUJ6	6
IKUJ8	8
IKUJ10	10
IKUJ12	12

COVER KIT



Number of Poles	Non-Shorting Style		Shorting Style	
	Cat No. Without Cover	Cat No. With Cover	Cat No. Without Cover	Cat No. With Cover
4	IKU4	IKU4C	IKU4S	IKU4SC
6	IKU6	IKU6C	IKU6S	IKU6SC
8	IKU8	IKU8C	IKU8S	IKU8SC
12	IKU12	IKU12C	N/A	N/A

North America/Worldwide
Toll Free: +1-800-547-8629 (NA Only)
Tel: +1-905-294-6222
Fax: +1-905-201-2098
e-mail: gemultilin@ge.com

ASIA
Tel: +86-21-2401-3208
Fax: +86-21-5423-5080
e-mail: gemultilin@ge.com

Europe, Middle East, Africa
Tel: +34-94-485-88-54
Fax: +34-94-485-88-35
e-mail: gemultilin.euro@ge.com

Please refer to our website www.GEITI.COM for more detailed contact information